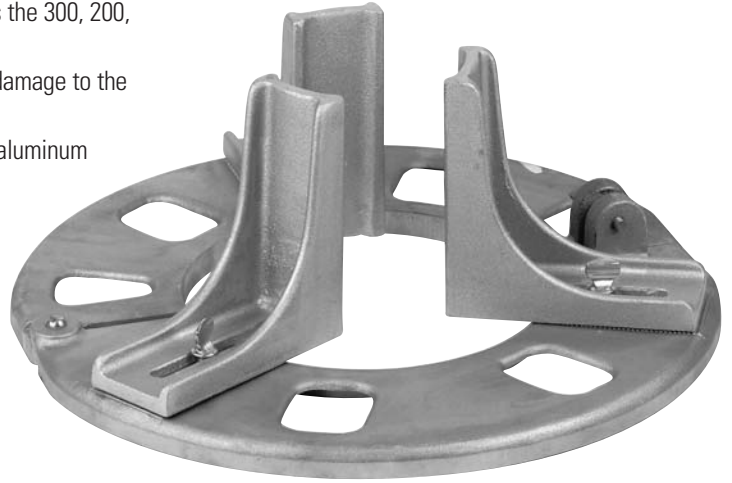


SERIES 545 LARGE CYLINDER STAND

This cast aluminum stand is designed for use with all common cylinders with diameters up to 10 inches, such as the 300, 200, 80, 150AL, etc. The "L" bracket design prevents damage to the cylinder surface, so it is well suited for use with aluminum cylinders. Not recommended for 265AL cylinders.



PRODUCT CODE	TYPE
S545-1	Large cylinder stand

Dimensions: 18-3/4" diameter x 7-1/2" high
Shipping Weight: 15 lbs.

SERIES 545 SMALL CYLINDER STANDS

This stand supports the No. 35, 10, or 9AL cylinders. Material of construction is nickel plated steel. Stand will adjust to accept cylinders from 4" to 7-3/8" in diameter. Height: 10".



PRODUCT CODE	TYPE
S545-2	Small cylinder stand

MODEL S-CC1/S-CC2 IMPACT RESISTANT CARRYING CASES

The Model S-CC2 is a two cylinder CaliBlend™ carrying case with a split door that permits convenient access to regulators and valves. Model S-CC1 carrying case (not shown) is a standard style, plastic toolbox that holds one CaliBlend™ cylinder.



PRODUCT CODE	DESCRIPTION
S-CC1	1 Cylinder case
S-CC2	2 Cylinder case

SERIES 546 CYLINDER CLAMPS

The Bench Clamp S546-B is designed to secure cylinders when they are used next to a lab bench or hood. The body is cast aluminum and can be securely attached to a bench top without marring the surface. The strap is heavy nylon web. It will secure cylinders from 4 to 14 inches in diameter. The S546-W wall mount is the same construction, but mounts directly to a wall or the side of a bench.



S-546-B



S-546-W



S-546-C

PRODUCT CODE	TYPE
S546-B	Bench Mount
S546-W	Wall Mount
S546-S	Replacement Strap
S546-C	Cabinet Mount

LECTURE BOTTLE/CaliBlend™ STANDS

These stands will safely support round bottom lecture bottles with a regulator or control valve attached, or flat bottom CaliBlend™ cylinders.



S-500-1



S-500-3



S-500-2

PRODUCT CODE	TYPE
S500-1	No tip (aluminum) (lecture bottle)
S500-2	Wall mount bracket (lecture bottle)
S500-3	CaliBlend™ Stand

SERIES 550 CYLINDER HAND TRUCKS

These heavy duty cylinder trucks are specifically designed for easy and safe handling and transport of compressed gas cylinders over all types of surfaces. They are collapsible for convenient storage, and the carriages are spring locked for safety. They have adjustable carriages permitting cylinders to be carried in the safest and most convenient angle.



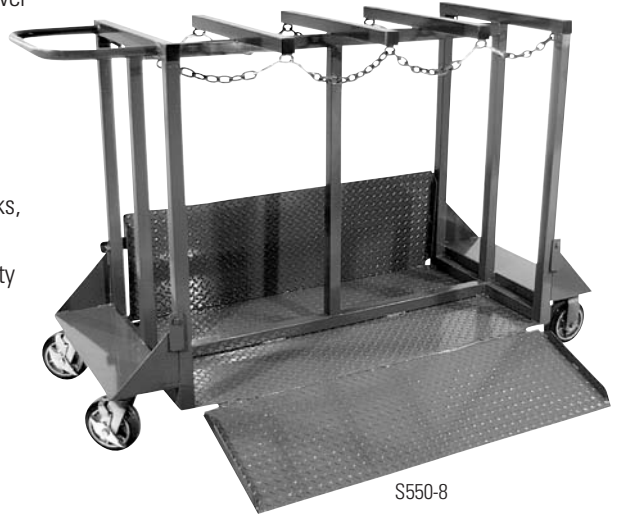
S-550-2

S-550-1

PRODUCT CODE	TYPE
S550-1	Single Cylinder
S550-2	Double Cylinder

GAS CYLINDER CARTS

Designed to safely transport high-pressure cylinders wherever they are needed, and store them when not in use. Features include a 1/4" steel diamond floor plate with convenient hinged loading ramps, large 6" x 2" rubber casters with locks, push handle, and individual cylinder pockets with heavy-duty safety chain. Available in 6 or 8 cylinder configuration.



S550-8

MODEL NO.	MAX. CYLINDER STORAGE	HT.	WIDTH	DEPTH	WT.
S550-6	6 high-pressure cyls.	42"	24"	55" O.D.	210
S550-8	8 high-pressure cyls.	42"	24"	65" O.D.	250

* Heavy-duty foot lock brakes available